



**Kranlyft**

# Maeda MC405CRM(E) Technical specifications



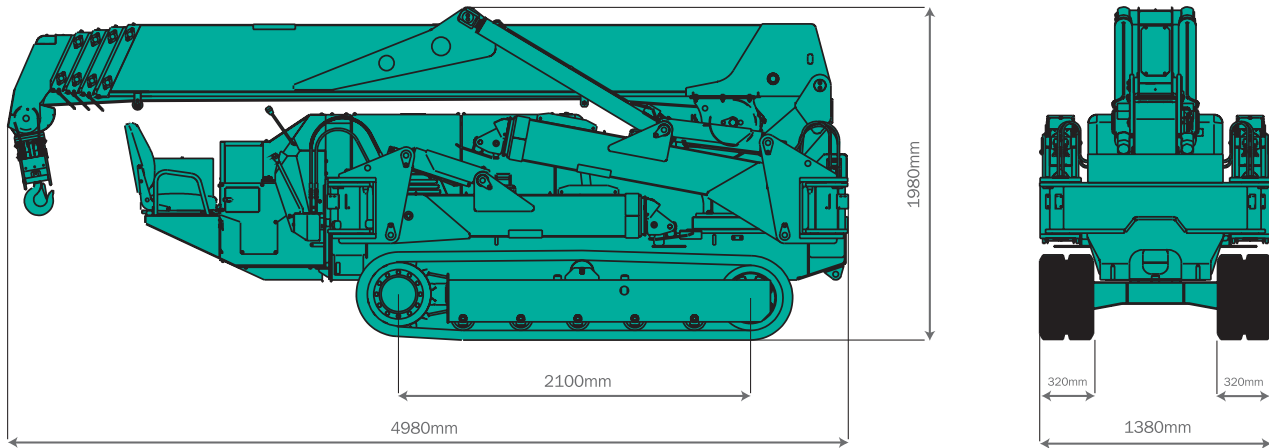
Offering the best  
balance of power  
and design

- Pick & Carry Duty  
(300kg maximum)
- Two Travel Speeds
- Programmable  
Moment Limiter
- 1130kg at 5.0m radius  
on 16.43m boom
- Rubber Tracks
- Hydrostatic  
Transmission
- Centralised Controls
- 4 Fall / 2 Fall  
Hook Block
- Automatic Hook  
Stowage System
- Tilt Sensor/Alarm
- Powerful Winch with  
Hydraulic Disc Brake
- Two Speed Winch
- Fully Automatic  
Pentagonal  
Section Boom
- Cable Remote  
Controller

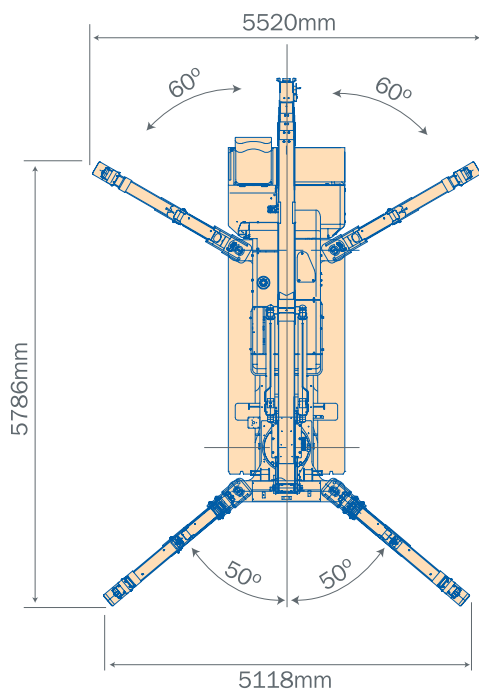
Specification		
<b>Model</b>		MC405CRM(E)
<b>Crane capacity</b>		3.83t x 2.7m
<b>Max. working radius</b>		16m
<b>Max. lifting height</b>		16.8m
<b>Hook speed</b>		10m / min. (18.0m / min.) (4 falls, 4th layer)
<b>Single line speed</b>		40m / min. (72.0m / min.) (4th layer)
<b>Hoist rope</b>		IWRC 6 x WS(26) 8mm x 95m
<b>Telescopic system</b>	Boom length Telescoping speed Boom type	4.735m - 16.475m 11.7m / 54.2 sec (41.3sec) Fully automatic 5 section pentagonal telescopic boom
<b>Boom hoist system</b>	Hoist angle / speed	0° - 80° / 24.5 sec (17.0 sec)
<b>Slew system</b>	Slew angle / speed	360° / 2.1 rpm (2.5 rpm)
<b>Outrigger system</b>	Type Maximum extended dimensions	Extension and set up by direct acting hydraulic cylinders (Length) 5786mm x (Front) 5118mm x (Rear) 5520mm
<b>Traction system</b>	Drive Travel speed Gradability Crawler length x width Ground pressure	Hydraulic motor driven, stepless speed changer 0 - 3.3 km/h 20° 2100mm x 320mm 49.0 (0.50) kpa (kgf/cm <sup>2</sup> )
<b>Engine</b>	Model Type Rated output Starting method Fuel / Fuel tank capacity	Yanmar 3TNV88-PMB 3 cylinder water cooled diesel 21.8kw/2400min-1 (29.6PS/2400rpm) Electric Diesel/60L
<b>Electric Motor MC405CRME</b>	Type Size	Totally enclosed fan-cooled motor 7.5kw, 4P 380V
<b>Remote control system</b>	Type	Cable remote controller, micro-speed mode, load display for transmitter, outrigger operation
<b>Dimensions</b>	Length x Width x Height Weight MC405CRM Weight MC405CRME	4980mm x 1380mm x 1980mm 5600kg 5750kg
<b>Standard equipment</b>		Overwind protection, load indicator, hydraulic safety valve, wire rope latch, level, machine body inclination alarm, EMO switch, travel lock lever, outrigger interlock device, moment limiter, rotary lamp, 4-fall / 2-fall hook block.
<b>Optional equipment</b>		Radio remote control, white rubber tracks, single fall hook, searcher hook, fly-jib.

# Maeda MC405CRM(E) Dimensions

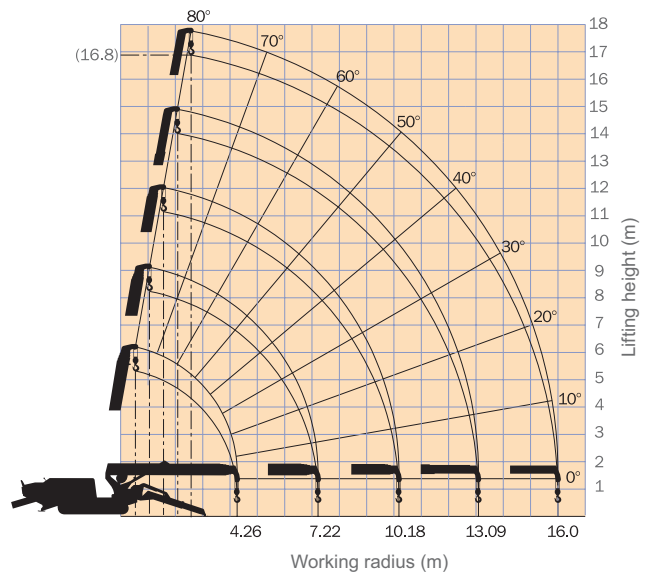
## Overall Size



## Outrigger Spread Dimensions



## Working Range Chart



The Working Range Chart does not take into account boom deflection under load.

The maximum reach below ground level is:

Four Fall	Two Fall	Single Fall
20.50m	41.00m	82.00m



# Maeda MC405CRM(E) Load Charts

## Total rated load (4 falls) Outriggers at Maximum position

4.735m/7.695m boom		10.655m boom		13.565m boom		16.475m boom	
Working radius (m)	Total rated load (kg)	Working radius (m)	Total rated load (kg)	Working radius (m)	Total rated load (kg)	Working radius (m)	Total rated load (kg)
< 2.7	3830	3.5	3030	4.0	2230	5.0	1130
3.5	3030	4.0	2580	4.5	1930	5.5	980
4.0	2580	5.0	2030	5.0	1730	6.0	910
5.0	2030	6.0	1680	6.0	1400	7.0	760
6.0	1680	7.0	1380	7.0	1180	8.0	650
7.0	1380	8.0	1130	8.0	1030	9.0	600
7.25	1330	9.0	880	9.0	930	10.0	550
		10.2	580	10.0	830	11.0	490
				11.0	690	12.0	440
				12.0	530	13.0	380
				13.1	430	14.0	320
						15.0	260
						16.0	210

## Total rated load (4 falls) Outriggers at Intermediate position

4.735m/7.695m boom		10.655m boom		13.565m boom		16.475m boom	
Working radius (m)	Total rated load (kg)	Working radius (m)	Total rated load (kg)	Working radius (m)	Total rated load (kg)	Working radius (m)	Total rated load (kg)
< 2.7	3830	3.5	3030	4.0	2230	5.0	1130
3.5	3030	4.0	2580	4.5	1830	5.5	980
4.0	2580	5.0	1880	5.0	1630	6.0	910
5.0	1880	6.0	1430	6.0	1330	7.0	730
6.0	1430	7.0	1130	7.0	1080	8.0	630
7.0	1160	8.0	880	8.0	880	9.0	550
7.25	1120	9.0	740	9.0	730	10.0	480
		10.2	490	10.0	530	11.0	430
				11.0	480	12.0	380
				12.0	430	13.0	330
				13.1	330	14.0	280
						15.0	220
						16.0	180

## Total rated load (4 falls) Outriggers at Minimum position

4.735m/7.695m boom		10.655m boom		13.565m boom		16.475m boom	
Working radius (m)	Total rated load (kg)	Working radius (m)	Total rated load (kg)	Working radius (m)	Total rated load (kg)	Working radius (m)	Total rated load (kg)
< 2.7	3830	3.5	3030	4.0	2230	5.0	1130
3.5	3030	4.0	2580	4.5	1830	5.5	980
4.0	2580	5.0	1680	5.0	1630	6.0	880
5.0	1680	6.0	1180	6.0	1180	7.0	730
6.0	1180	7.0	880	7.0	830	8.0	530
7.0	930	8.0	730	8.0	680	9.0	450
7.25	780	9.0	580	9.0	550	10.0	420
		10.2	400	10.0	430	11.0	370
				11.0	380	12.0	330
				12.0	350	13.0	280
				13.1	310	14.0	240
						15.0	190
						16.0	150



The Total Rated Load Charts are based on the actual working radius including boom deflection. The weight of the hook (standard 4 fall - 30kg) must be included as part of the load shown in the Total Rated Load Charts.

When using two fall or single fall hooks, use the appropriate four fall Total Rated Load Chart above but with a **maximum load** of: Two Fall - 1930kg, Single Fall - 970kg.



# Maeda Mini Crawler Cranes

Little cranes with **BIG** ideas



For further details please contact Kranlyft. Due to improvements, the specifications are subject to change without notice.



**+46 31 80 70 00**  
**+44 117 982 6661**

**INFO@KRANLYFT.COM**  
**WWW.MAEDAGRANES.COM**

Distributor: