

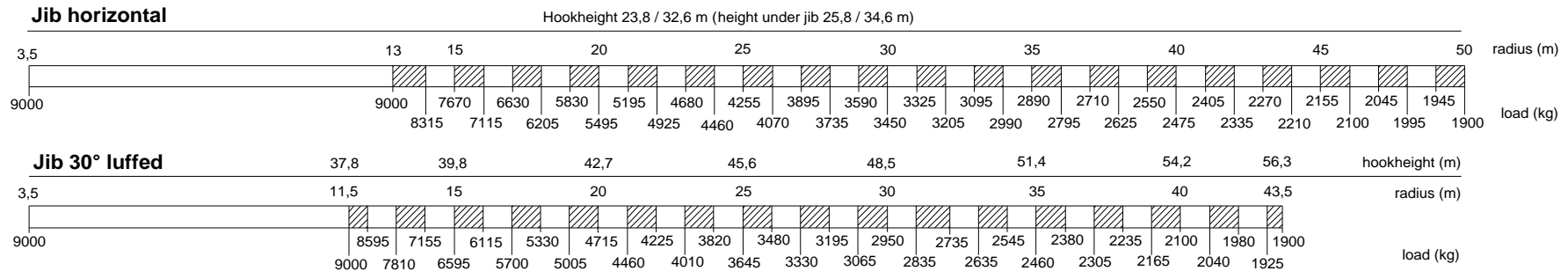


**Make: SPIERINGS Type: SK599-AT5**

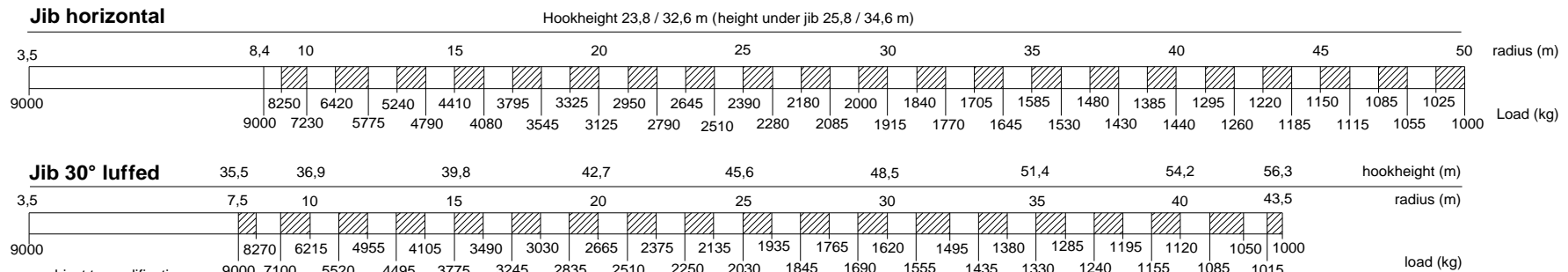
**Crane specification**

Serial number <input type="text"/>	Crane group : A3 as per FEM 1.001		Max. load  <b>9,0 tonne</b>	Max.radius with max. load  <b>13 m</b>	Max. capacity  <b>117 tm</b>	Max. jib length  <b>50 m</b>																			
	Loadspectrum : Q1 as per FEM 1.001																								
Year of construction <input type="text"/>	Classification : U4 as per FEM 1.001																								
<b>Speeds</b> Jib horizontal / jib 30° luffed		All motions with hydraulic proportional controls		Crane equipped with full counterweight:		Rated lifting capacity is net capacity In all cases 2 parts of line Max. line pull force : 4500 kg Sail area of the load : max. 1,0 m <sup>2</sup> / tonne Max. outrigger loading: 440 kN																			
<table border="1"> <tr> <th>m/min</th> <th>kg</th> <th>Diagram</th> <th>Speed</th> </tr> <tr> <td>20</td> <td>9000</td> <td></td> <td>0 - 70 m/min</td> </tr> <tr> <td>32</td> <td>4500</td> <td></td> <td>0 - 0,9 rpm</td> </tr> <tr> <td>50</td> <td>2250</td> <td></td> <td></td> </tr> <tr> <td>75</td> <td>0</td> <td></td> <td></td> </tr> </table>		m/min	kg	Diagram	Speed		20	9000		0 - 70 m/min	32	4500		0 - 0,9 rpm	50	2250			75	0			Luffing the jib 30° can be controlled from crane cab or via remote control		11300 kg
m/min	kg	Diagram	Speed																						
20	9000		0 - 70 m/min																						
32	4500		0 - 0,9 rpm																						
50	2250																								
75	0																								
		The crane should be folded in at a wind force of 9 on the Beaufort scale (wind speed 21 m/min) or when not in use for a longer period		360° continuous slewing : with outriggers out and down		<b>Outrigger position : 7,50 x 7,66 m</b> Operation allowed up to a wind force of 7 on the Beaufort scale (wind speed 14 m/sec)																			
				Operating temperture : range from -15° to 40° C.																					

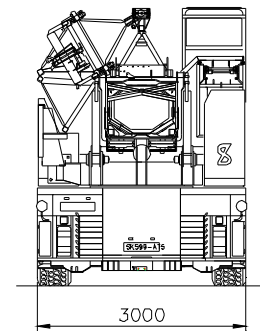
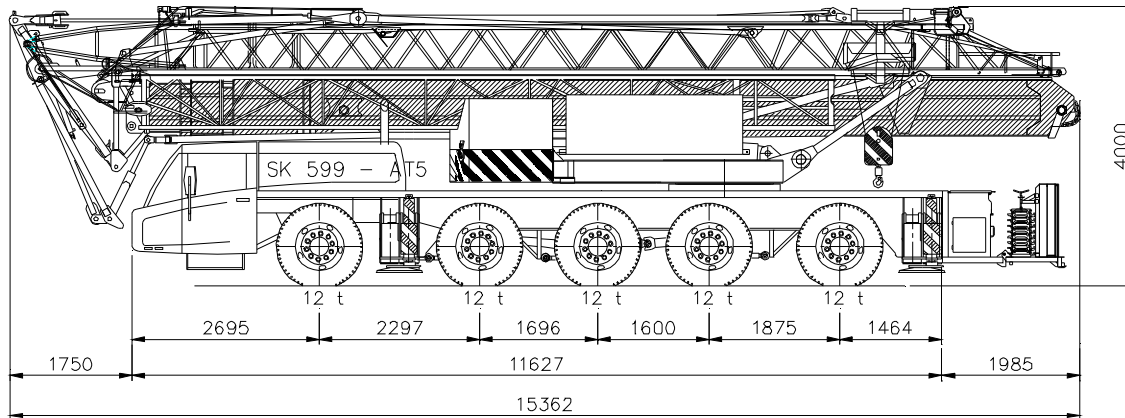
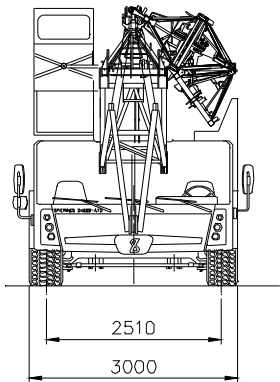
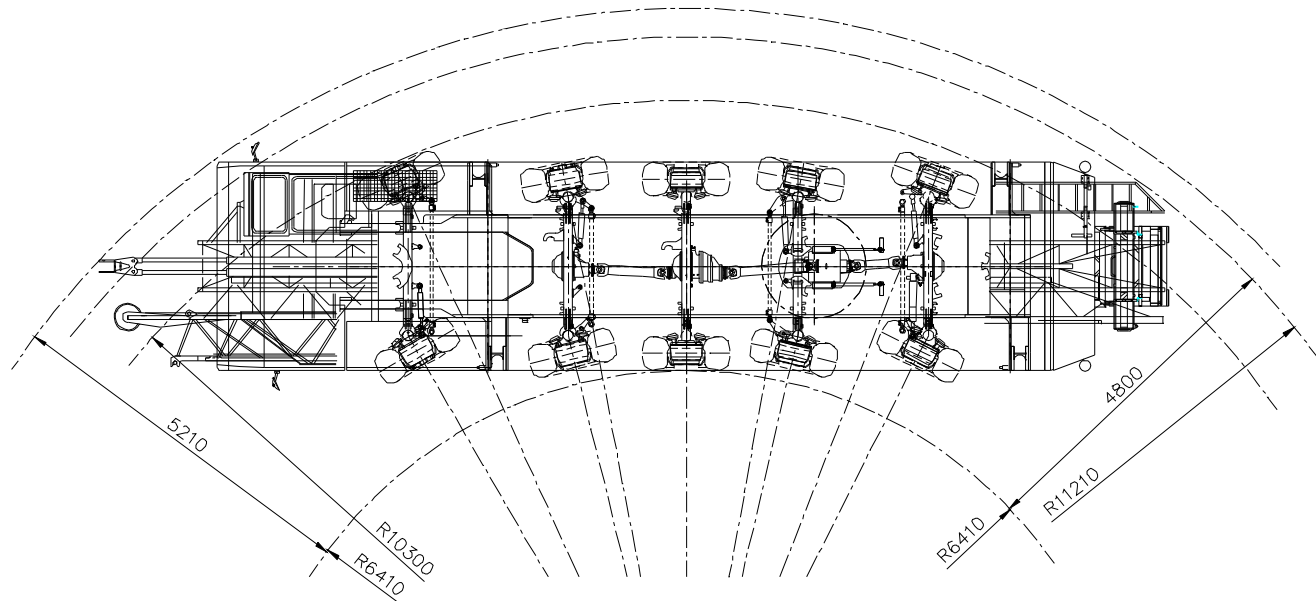
**Lifting chart Outrigger spread 7,50 m x 7,66 m**



**Lifting chart Outrigger spread 7,50 m x 5,72 m**



changes subject to modifications

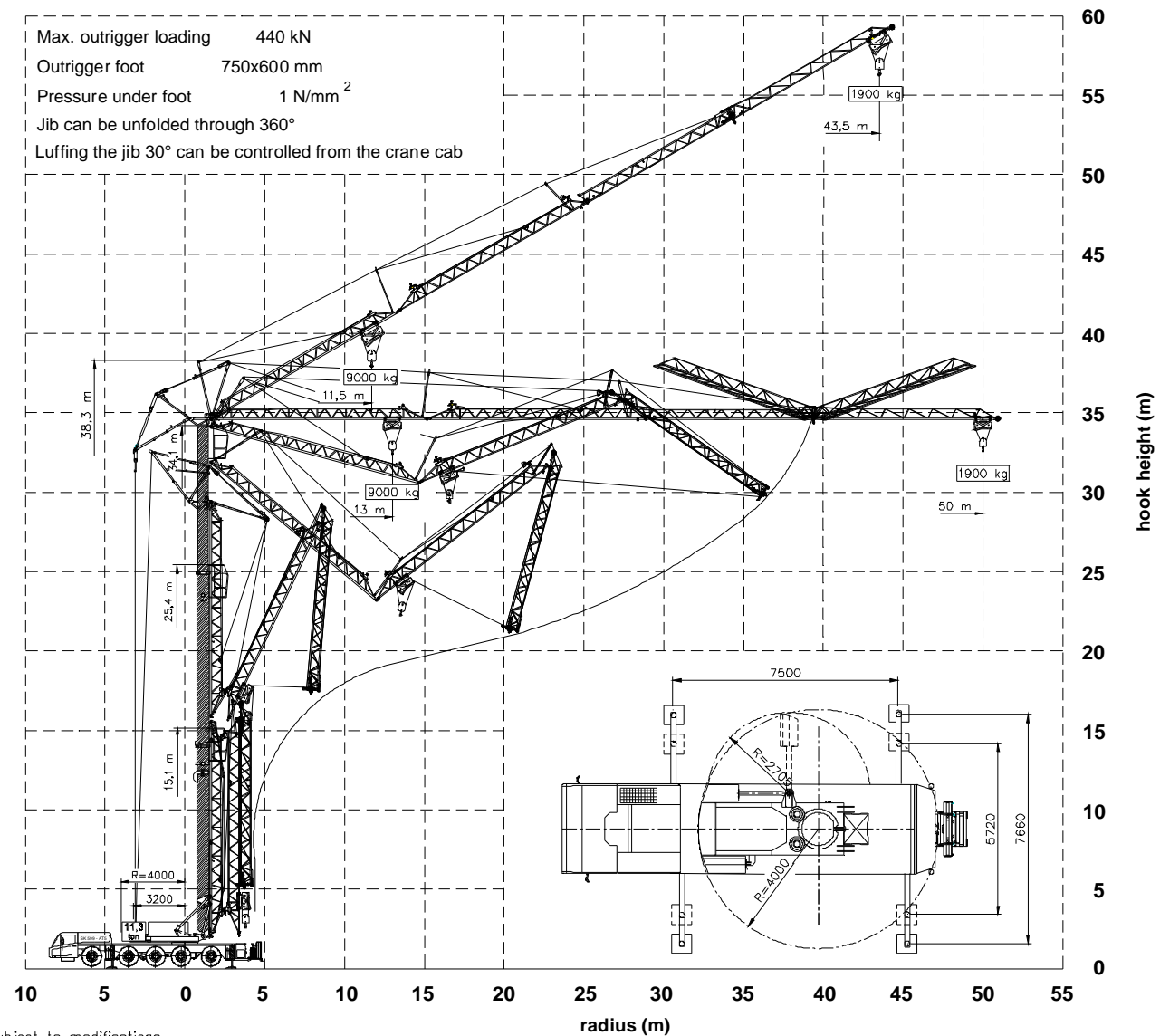


Total weight: 60000 kg  
changes subject to modifications

## Spierings Hydraulic Folding Crane SK 599 - AT5

 SPIERINGS  
KRANEN  
Merwedestraat 15  
5347 KZ Oss NL  
Tel. +31 (0)412-626964  
Fax +31 (0)412-645299

Max. outrigger loading 440 kN  
 Outrigger foot 750x600 mm  
 Pressure under foot 1 N/mm<sup>2</sup>  
 Jib can be unfolded through 360°  
 Luffing the jib 30° can be controlled from the crane cab



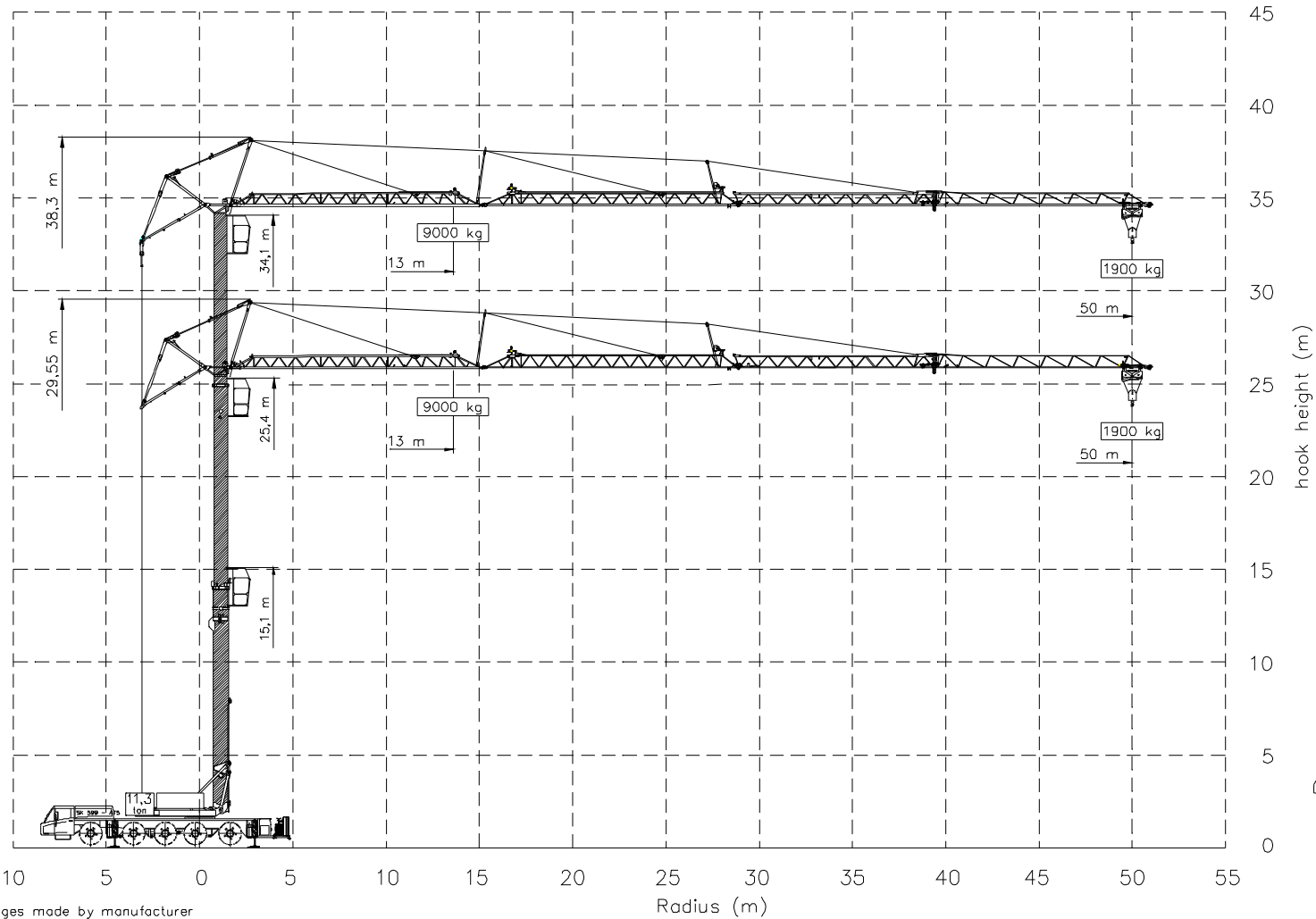
# SPIERINGS HYDRAULIC FOLDING CRANE SK599-AT5



Merwedestraat 15  
 5347 KZ Oss NL  
 Tel. +31 (0)412-626964  
 Fax +31 (0)412-645299

Changes subject to modifications

# SPIERINGS HYDRAULIC FOLDING CRANE SK599-AT5

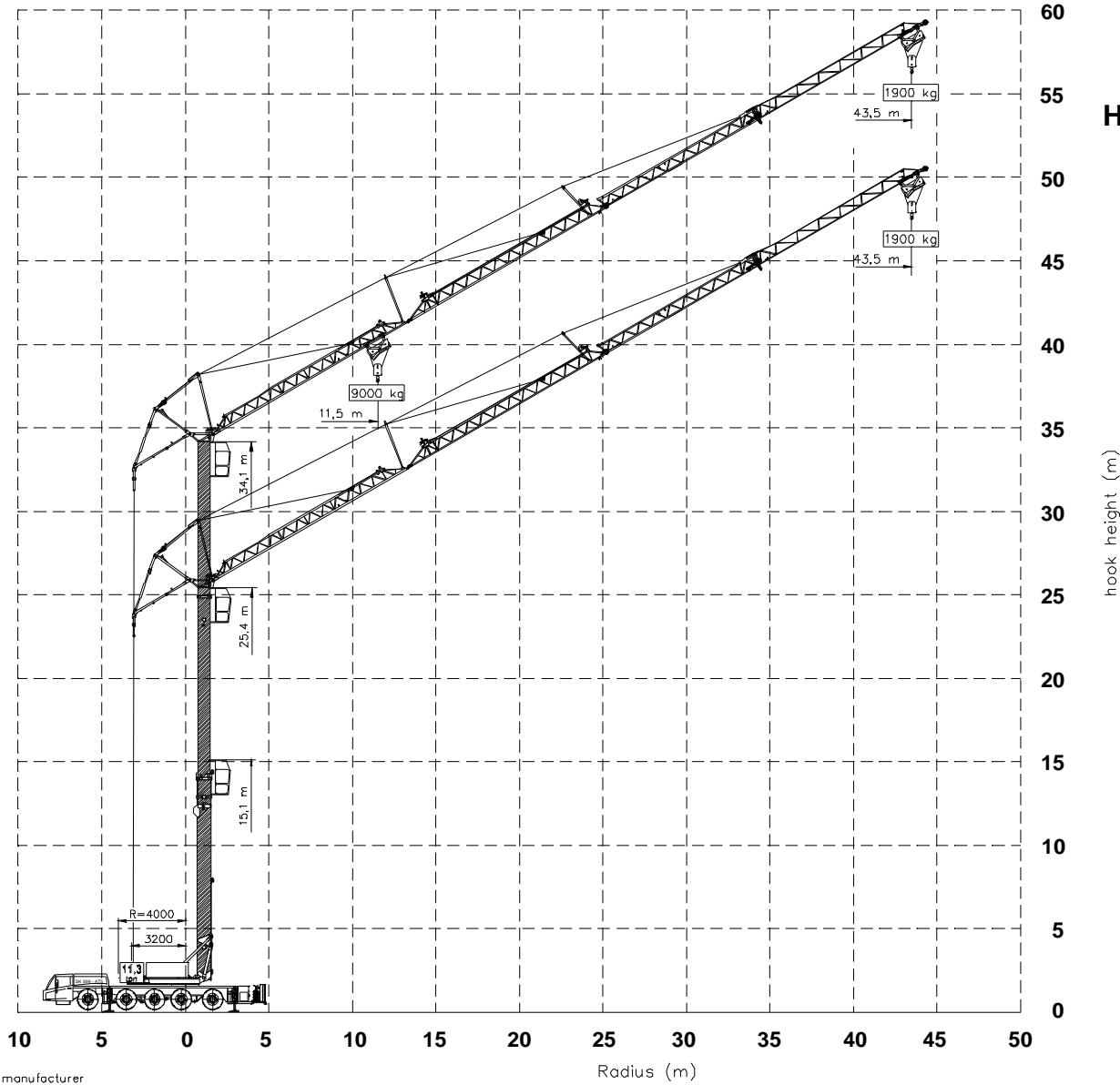


changes made by manufacturer

**SPIERINGS  
KRANEN**

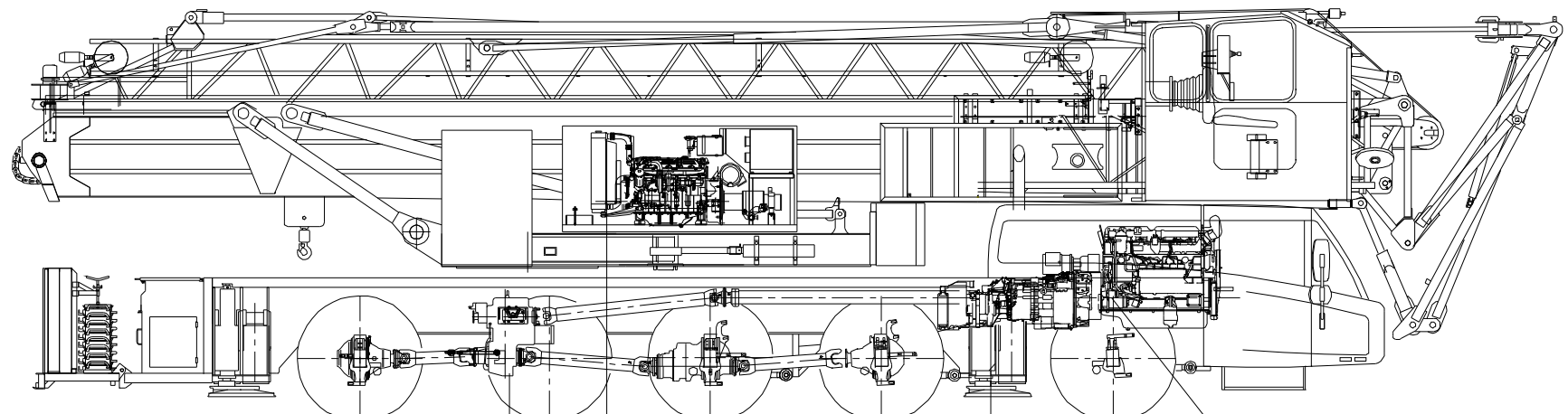
Merwedestraat 15  
5347 KZ Oss NL  
Tel. +31 (0)412-626964  
Fax +31 (0)412-645299

# SPIERINGS HYDRAULIC FOLDING CRANE SK599-AT5



Merwedestraat 15  
5347 KZ Oss NL  
Tel. +31 (0)412-626964  
Fax +31 (0)412-645299

changes made by manufacturer



Axle 5

Axle 4

Axle 3

Axle 2

Axle 1

Transfer box:  
 STEYR VG2001/396  
 Road gear  $i=0,89$   
 Off road gear  $i=1,54$

Crane diesel engine:  
 DETROIT VM D706 IE2  
 Power: 96 kW (2600 rpm)  
 Torque: 480 Nm (1300 rpm)

Gearbox:  
 ZF 16AS2601  
 Automatic  
 Dry plate clutch  
 + retarder

Carrier diesel engine:  
 DAF XE 390 C (EURO 3)  
 Power: 390 kW (1900 rpm)  
 Torque: 2300 Nm (1500 rpm)

Axle 1 : Steer axle  
 Axle 2 : Steer drive axle (end reduction  $i=6,35$ )  
 Axle 3 : Drive axle , non steered (end reduction  $i=6,35$ )  
 Axle 4 : Steer axle  
 Axle 5 : Steer drive axle (end reduction  $i=6,35$ )

Tyres : 445/75 R22,5  
 Suspension: hydro-pneumatic on all axles; stroke cyl. : 247 mm  
 Max. speed carrier : 85 km/h  
 Min. speed carrier (engine at 1000 rpm) : 1,6 km/h  
 Overall weight : 60.000 kg.

## Drive train Spierings Folding Crane SK 599 - AT5

Changes subject to modifications