

# SPARROW CRANE HIRE LTD.

## Head Office

Ashmead Road, Keynsham, Bristol BS31 1SX

Telephone: +44 (0) 117 937 6690

Fax: +44 (0) 117 937 6699

email [info@sparrowcrane.co.uk](mailto:info@sparrowcrane.co.uk)

web [www.sparrowcrane.co.uk](http://www.sparrowcrane.co.uk)

Bridgwater 01278 489148

Oxford 01865 389148

Cardiff 029 20 501148

Swindon 01793 469148

Frome 01373 813327

Taunton 01823 729148

Gloucester 01452 899148

Tewkesbury 01684 869148

Newport 01633 759148

Yeovil 01935 609148



## Tadano TS75-ML



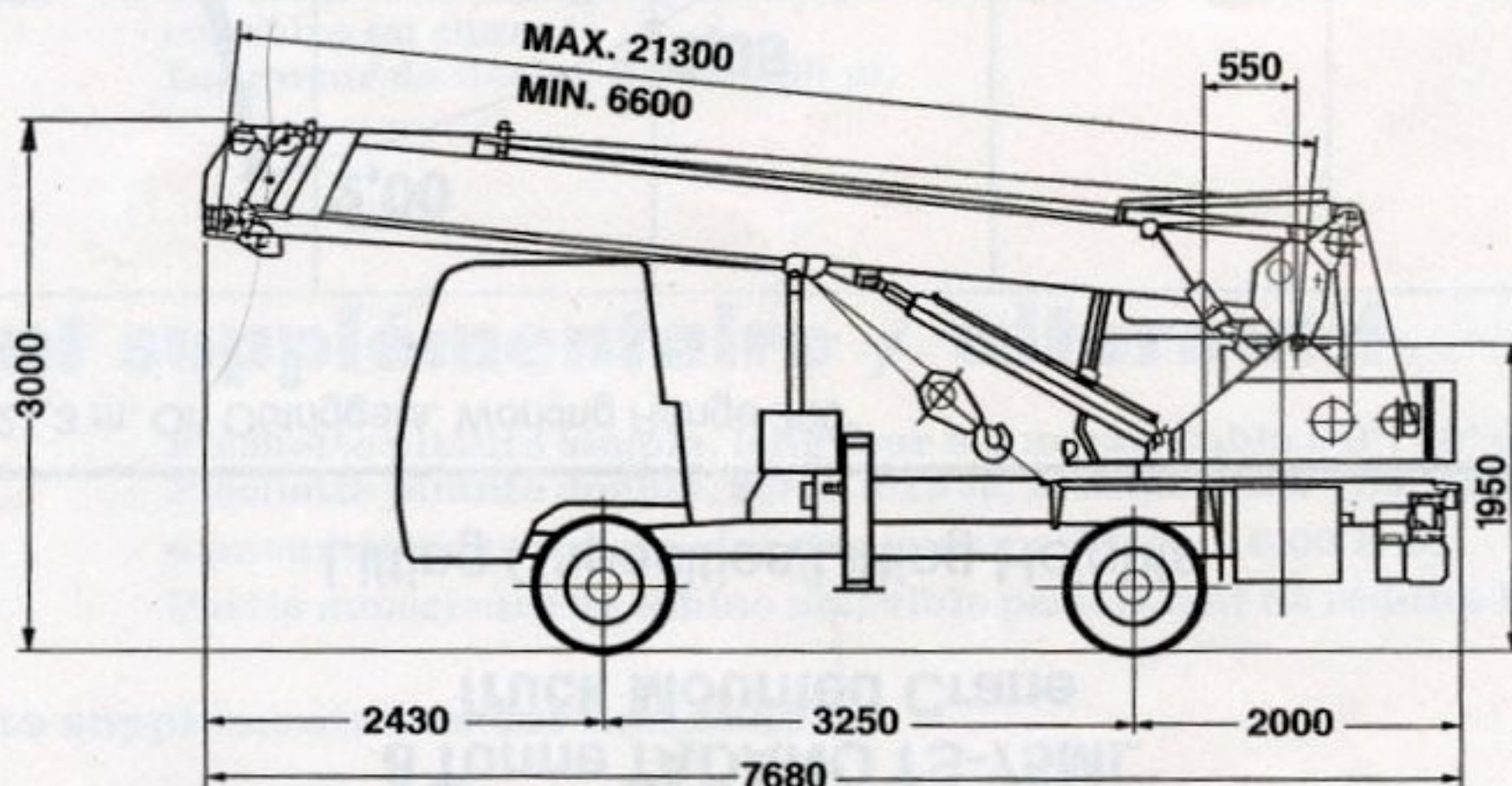
# 8 Tonne TADANO TS-75ML Truck Mounted Crane

## Lifting Capacities Main Boom

Standard Boom 6,6 - 21,3 m. On Outriggers.

Radius m	Main Boom								Radius m
	Front Jack extended (360°) Front Jack not extended (over sides & rear)				Front Jack not extended (over front)				
	6,6	11,5	16,4	21,3	6,6	11,5	16,4	21,3	
2,3	8,00	-	-	-	8,00	-	-	-	2,3
2,5	7,00	-	-	-	7,00	-	-	-	2,5
3,0	6,10	4,90	-	-	5,20	4,90	-	-	3,0
3,5	5,30	4,60	3,50	-	3,80	3,90	3,50	-	3,5
4,0	4,35	4,30	3,20	-	2,70	2,80	2,80	-	4,0
4,5	3,60	3,70	3,00	2,00	1,90	2,10	2,10	2,00	4,5
5,0	3,00	3,10	2,80	2,00	1,50	1,60	1,60	1,70	5,0
5,5	2,55	2,65	2,60	1,85	1,20	1,30	1,30	1,35	5,5
6,0	2,25	2,35	2,40	1,70	0,90	1,05	1,05	1,10	6,0
7,0	-	1,80	1,85	1,45	-	0,75	0,75	0,80	7,0
8,0	-	1,45	1,50	1,25	-	0,50	0,50	0,55	8,0
9,0	-	1,20	1,25	1,10	-	0,35	0,35	0,40	9,0
10,0	-	1,00	1,05	0,95	-	0,25	0,25	0,30	10,0
10,9	-	0,85	0,85	0,85	-	0,15	0,15	0,20	10,9
12,0	-	-	0,70	0,75	-	-	-	-	12,0
13,0	-	-	0,60	0,65	-	-	-	-	13,0
14,0	-	-	0,50	0,55	-	-	-	-	14,0
15,0	-	-	0,40	0,45	-	-	-	-	15,0
15,8	-	-	0,35	0,40	-	-	-	-	15,8
17,0	-	-	-	0,35	-	-	-	-	17,0
18,0	-	-	-	0,28	-	-	-	-	18,0
19,0	-	-	-	0,23	-	-	-	-	19,0
20,0	-	-	-	0,18	-	-	-	-	20,0
20,5	-	-	-	0,15	-	-	-	-	20,5

## Dimensions

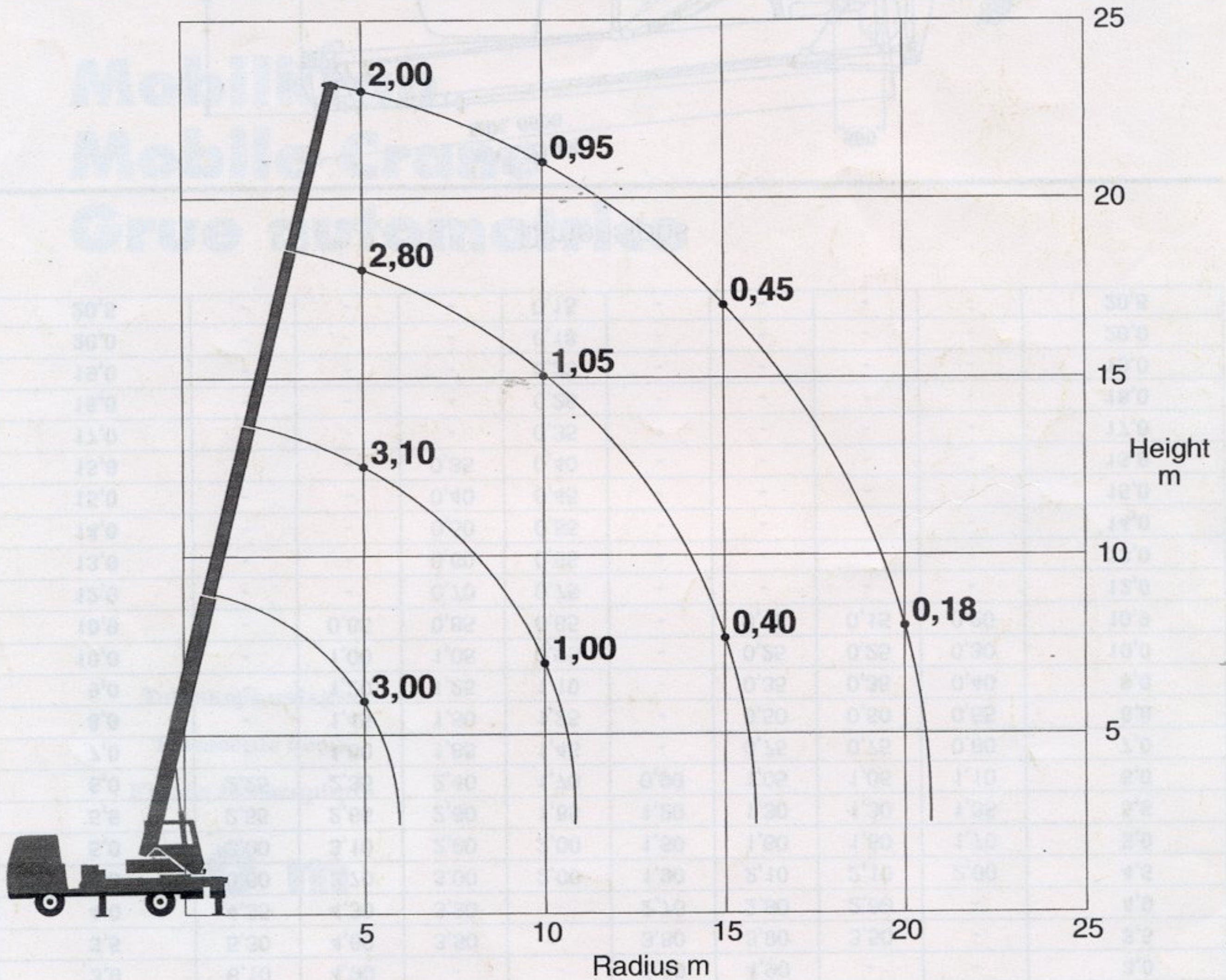


Gross Vehicle Weight	8,12 te	Overall Width	2,23 m
Fully Extended Outrigger Width	4,40 m	Tail Swing Radius	1,60 m

# 8 Tonne TADANO TS-75ML Truck Mounted Crane

## Lifting Capacities/Lifting Heights

Standard Boom 6,6 - 21,3 m. On Outriggers. Working Range 360°



Working Area Diagram

Working Area Diagram

