

# **SPARROW CRANE LIMITED**



**Bridgewater 01278 489148**  
**Cardiff 029 20 501148**  
**Frome 01373 813327**  
**Gloucester 01452 899148**  
**Oxford 01865 389148**

**Newport 01633 759148**  
**Swindon 01793 469148**  
**Taunton 01823 729148**  
**Tewkesbury 01684 869148**  
**Yeovil 01935 609148**

**Head Office**

**Ashmead Road, Keynsham, Bristol, BS31 15X United Kingdom**

**Telephone: +44 (0) 117 937 6690 Fax: +44 (0) 117 937 6699**

**e-mail [info@sparrowcrane.co.uk](mailto:info@sparrowcrane.co.uk)**

**web [www.sparrowcrane.co.uk](http://www.sparrowcrane.co.uk)**

## Maeda MC-305C

**Maeda MC-305C**

**Lifting Capacity: 2.93ton X 2.5m**

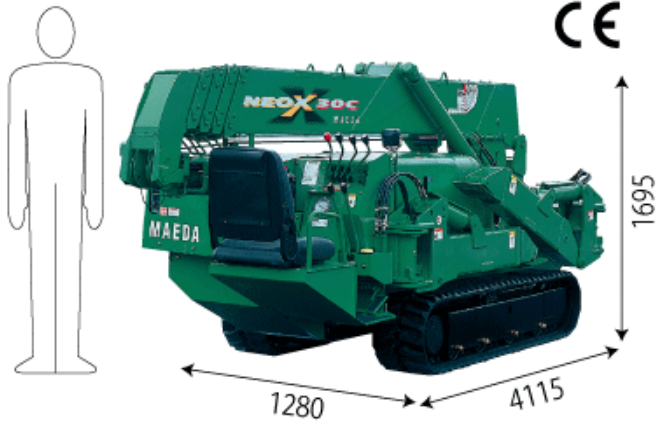


Lifting Capacity:2.93ton X 2.5m

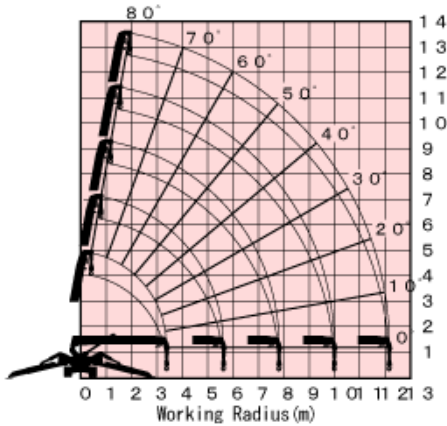
# MC-305C



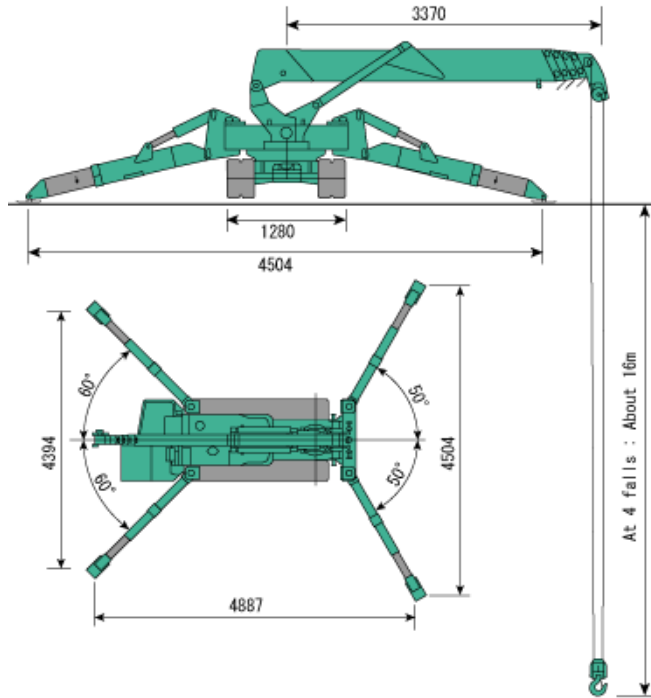
Outriggers are adjustable from the control station.  
**QUICK HOOK** is installed as standard.  
 Dual and variable speeds are available.  
**MOMENT LIMITER** fitted as standard for CD Specification.  
 Cable remote controller  
 Separate type is available as option  
 Electric Driven Option



## Working Range Chart



•The working range chart applies to cases without load and do not include boom deflections.



## Specification

Model	MC-305CR
Crane Capacity	2.93t ~ 2.50m
Max. Working Radius	12.16m
Max. Hook Height	Approx.12.66m
Boom	5-section hydraulically telescoping boom of pentagonal box construction
Boom Length	3.695 ~ 12.485 m
Luffing System	2 X Direct Push type Hydraulic Cylinders
Slewing System	360° continuous, by a hydraulic motor
Traveling System	Hydrostatic transmission
Traveling Speed	Dual & variable, 0 ~ 2.2km/h, 0 ~ 3.0km/h
Gradability	23.5°
Fuel/Fuel Tank Capacity	Diesel / 37 L
Control System	Levers, and either Cable type or Wireless Radio type Remote Controller
Engine	Yanmar diesel engine "3TNE74-MB1" 14kw/2,530min <sup>-1</sup>
Dimensions (LXWXH)	4.115 ~ 1.280 ~ 1.695 mm
Machine Weight	3,770 kg
Standard Equipment	Cable type Remote Controller (R)
Options	Moment Limiter (M) (CE:standard) Electric Motor Option (E) White Rubber Tracks One touch couplers for hydraulic hoses Single fall Hook Block Indicator for outriggers' setting (CE:standard)

Further details, please contact your MAEDA dealer.

**Total Rated Load** (Outriggers at Maximum position)

5.945m boom		8.145m boom		10.315m boom		12.485m boom	
Working Radius (m)	Total Rated Load (m)	Working Radius (m)	Total Rated Load (kg)	Working Radius (m)	Total Rated Load (kg)	Working Radius (m)	Total Rated Load (kg)
Less than 2.5	2930	2.7	2270	4.0	1060	Less than 4.5	775
3.0	2350	3.0	2090	4.5	950	5.0	640
3.5	1950	3.5	1680	5.0	860	6.0	495
4.0	1670	4.0	1415	6.0	750	7.0	410
4.5	1450	4.5	1230	7.0	645	8.0	360
5.0	1300	5.0	1070	8.0	540	9.0	320
5.62	1120	5.5	950	9.0	490	10.0	290
		6.0	855	9.99	415	11.0	260
		7.0	700			12.16	250
		7.82	610				

The Total Rated Load Table is based on actual working radius that takes into account boom deflections under load.

The Total Rated Load Table is including 30kg of Hook Block.